

## DESCRIPTION

AMC MODEL MSNN-2DT-022T-IND-SP OPTION: 618, B02MINUS15V, PLUS15V IS AN ABSORPTIVE/NON-REFLECTIVE SINGLE POLE TWO THROW SWITCH DESIGNED TO OPERATE OVER THE FULL 6 TO 18 GHz FREQUENCY RANGE IN A MINIATURE SIZE PACKAGE. THE SIZE IS 1.00" x 0.70" x 0.22".

## SPECIFICATIONS

- FREQUENCY RANGE: .....6 TO 18 GHz
- INSERTION LOSS: .....3.5 dB MAXIMUM
- ISOLATION: .....70 dB MINIMUM
- VSWR: .....2.0:1
- RISE TIME: .....10 nSec TYPICAL, 15 nSec MAXIMUM
- FALL TIME: .....10 nSec TYPICAL, 15 nSec MAXIMUM
- DELAY ON: .....75 nSec TYPICAL, 100 nSec MAXIMUM
- DELAY OFF: .....75 nSec TYPICAL, 100 nSec MAXIMUM
- POWER INPUT: .....(CW)+20 dBm (STANDARD), +10 dBm (HIGH SPEED)
- SURVIVAL POWER: .....1 WATT CW, 10 WATTS PEAK 1 uSec
- CONTROL: .....TTL LOGIC "0" = ON  
TTL LOGIC "1" = OFF
- POWER SUPPLY: .....+5V @ 100 mA MAXIMUM  
-5V @ 100 mA MAXIMUM
- CONNECTORS:  
RF: .....SMA FEMALE  
CONTROL: .....SOLDER PIN
- SIZE: .....1.00" (L) x 0.70" (W) x 0.22" (H)

## OPTIONS:

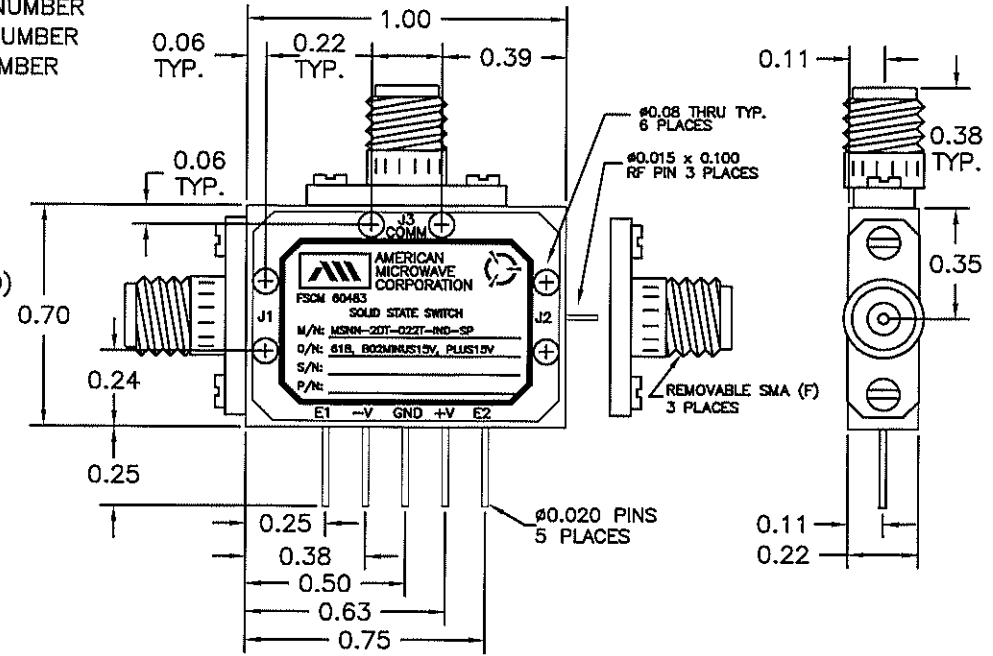
- 618: .....6 TO 18 GHz FREQUENCY RANGE
- B02MINUS15V: .....-15 VOLT POWER SUPPLY
- PLUS15V: .....+15 VOLT POWER SUPPLY

## ENVIRONMENTAL RATINGS:

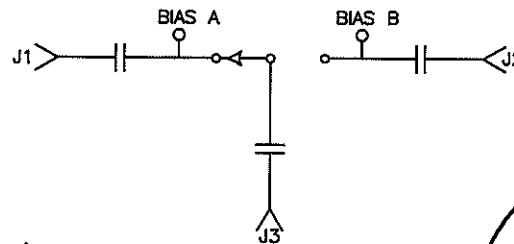
- TEMPERATURE: .....-55°C TO +85°C (OPERATING)  
-65°C TO +125°C (STORAGE)
- HUMIDITY: .....MIL-STD-202F, METHOD 103B COND. B
- SHOCK: .....MIL-STD-202F, METHOD 213B COND. B
- VIBRATION: .....MIL-STD-202F, METHOD 204D COND. B
- ALTITUDE: .....MIL-STD-202F, METHOD 105C COND. B
- TEMPERATURE CYCLE: .....MIL-STD-202F, METHOD 107D COND. A

NOTE: SPECIFICATIONS WILL VARY OVER OPERATING TEMPERATURE  
NOTE: THE ABOVE SPECIFICATIONS ARE SUBJECT TO CHANGE OR REVISION

M/N: = MODEL NUMBER  
O/N: = OPTION NUMBER  
S/N: = SERIAL NUMBER  
P/N: = PART NUMBER



## BLOCK DIAGRAM



ALL DIMENSIONS ARE IN INCHES  
TOLERANCES:  
X.XX ±0.020  
X.XXX ±0.010

REVISIONS				
ZONE	REV.	DESCRIPTION	DATE	APPROVED
-	-	ORIGINAL RELEASE JOB# 505129-1	5/19/05	[Signature]

## AMERICAN MICROWAVE CORPORATION

7311-G GROVE ROAD  
FREDERICK, MARYLAND 21704 USA  
TEL: 301-662-4700 FAX: 301-662-4938  
WEBSITE: [www.americanmicrowavecorp.com](http://www.americanmicrowavecorp.com)  
E-MAIL: [sales@americanmicrowavecorp.com](mailto:sales@americanmicrowavecorp.com)  
ISO 9001:2000 CERTIFIED



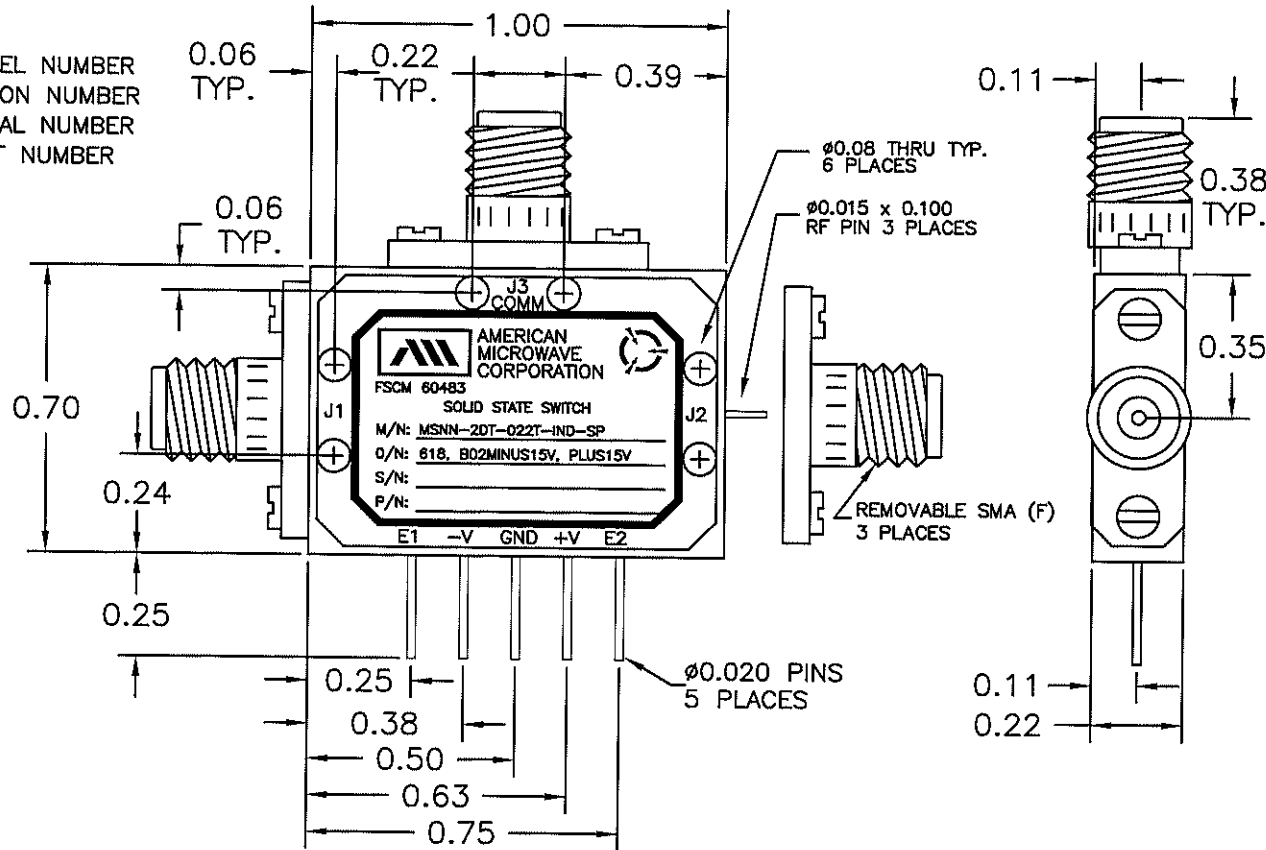
APPROVALS		DATE	TITLE		
DRAWN	[Signature]	5/19/05	PRODUCT FEATURE		
CHECKED	[Signature]	5/19/05	MSNN-2DT-022T-IND-SP		
ISSUED	[Signature]		OPTION: 618, B02MINUS15V, PLUS15V		
			SIZE	FSCM NO.	DWG NO.
			A	60483	100-7443
			SCALE	SHEET	
			N:S	1 OF 3	

# DESCRIPTION

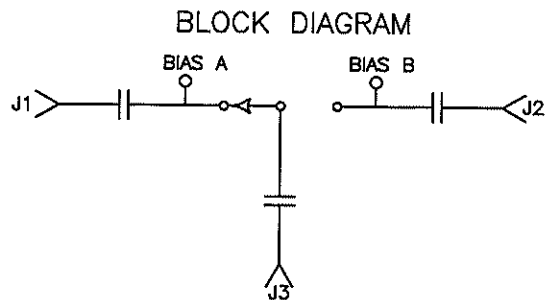
AMC MODEL MSNN-2DT-022T-IND-SP OPTION: 618, B02MINUS15V, PLUS15V IS AN ABSORPTIVE/NON-REFLECTIVE SINGLE POLE TWO THROW SWITCH DESIGNED TO OPERATE OVER THE FULL 6 TO 18 GHz FREQUENCY RANGE IN A MINIATURE SIZE PACKAGE. THE SIZE IS 1.00" x 0.70" x 0.22".

REVISIONS				
ZONE	REV.	DESCRIPTION	DATE	APPROVED
	-	ORIGINAL RELEASE JOB# 505129-1	5/19/05	<i>[Signature]</i>

M/N: = MODEL NUMBER  
 O/N: = OPTION NUMBER  
 S/N: = SERIAL NUMBER  
 P/N: = PART NUMBER



## MECHANICAL OUTLINE



BLOCK DIAGRAM

ALL DIMENSIONS ARE IN INCHES  
 TOLERANCES:  
 X.XX ±0.020  
 X.XXX ±0.010

## AMERICAN MICROWAVE CORPORATION

7311-G GROVE ROAD  
 FREDERICK, MARYLAND 21704 USA  
 TEL: 301-662-4700 FAX: 301-662-4938  
 WEBSITE: [www.americanmicrowavecorp.com](http://www.americanmicrowavecorp.com)  
 E-MAIL: [sales@americanmicrowavecorp.com](mailto:sales@americanmicrowavecorp.com)  
 ISO 9001:2000 CERTIFIED



APPROVALS		DATE	TITLE			
DRAWN	<i>[Signature]</i>	5/19/05	MECHANICAL OUTLINE			
CHECKED	<i>[Signature]</i>	5/19/05	MSNN-2DT-022T-IND-SP			
ISSUED			OPTION: 618, B02MINUS15V, PLUS15V			
			6-18 GHz, SINGLE POLE TWO THROW SWITCH			
			SIZE	FSCM NO.	DWG NO.	REV.
			A	60483	100-7443	-
			SCALE N:S		SHEET 2 OF 3	